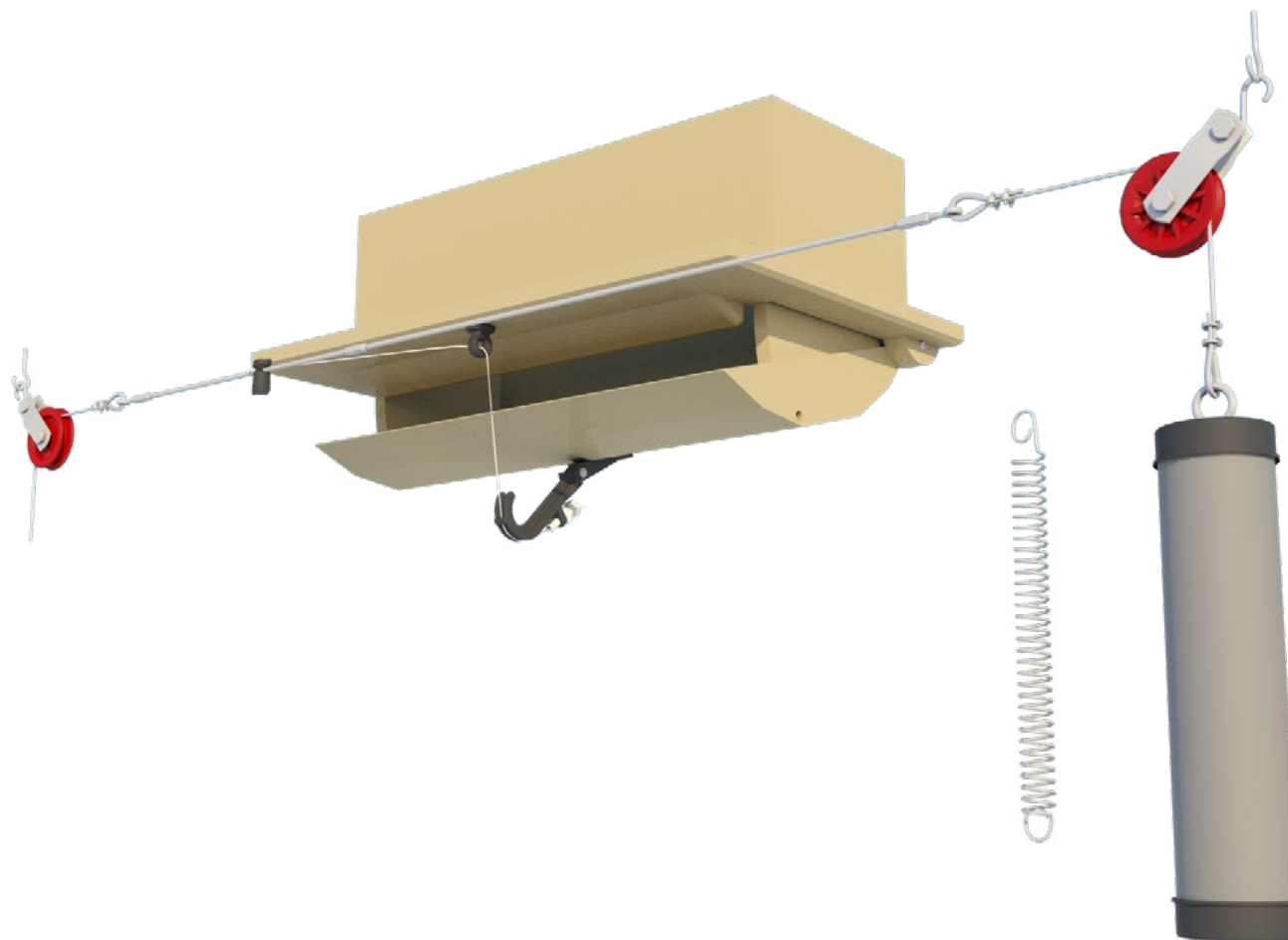


120-P-C

This inlet is specially designed for installation in ceilings. The inlet is used to bring air from the attic into the house. Working with ceiling inlets, in turn, helps to pre-heat the temperature of incoming air. The inlet is controlled by means of a central plastic arm.



INFO

DATASHEET

ASSEMBLY

MOUNTING

WORKING

MAINTENANCE



120-P-C DATASHEET



CAPACITY

Model	m ³ /h @ 10 Pa	m ³ /h @ 20 Pa	m ³ /h @ 40 Pa
120-P-C	1100	1560	2200
	cfm @ 0.05 inH ₂ O	cfm @ 0.1 inH ₂ O	cfm @ 0.15 inH ₂ O
	724	1025	1250

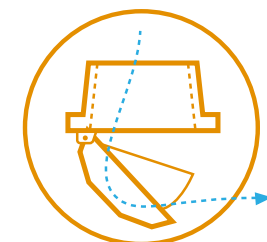
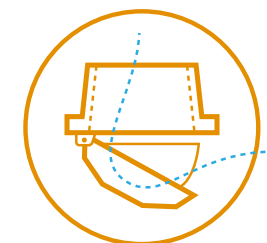
INFORMATION

Run	20 cm / 7.9 inch
Force	1,5 kg / 14.7 Newton
Number / pallet (1.20 x 0.80 x 2.40 m)	24
Weight / per inlet	2,2 kg / 4.9 lbs
Volume / per box	8
Arm position	3

OPTIONAL ACCESSORIES

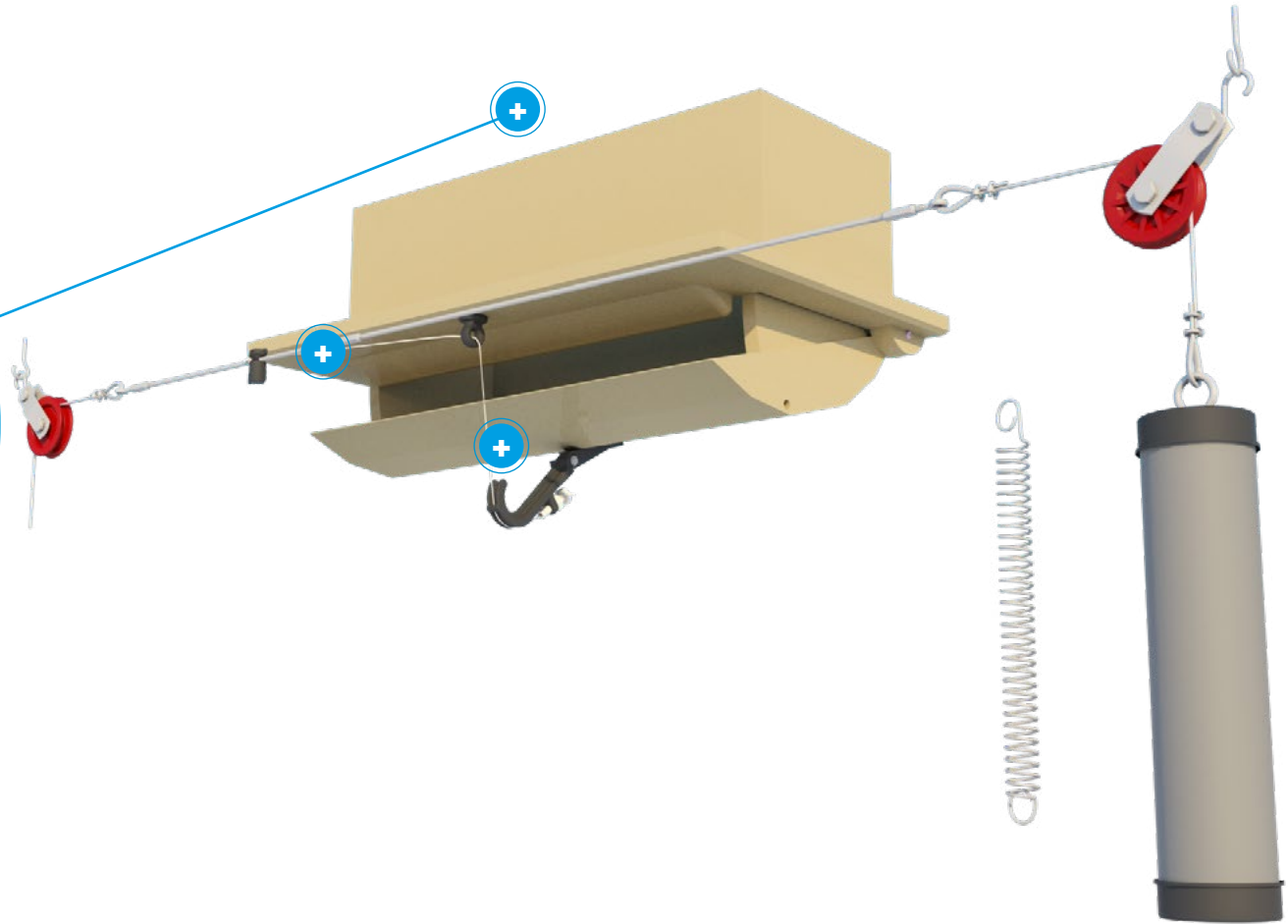
TPI-204c	Connection set
TPI-745	Extension piece

AIR FLOW

[INFO](#)[DATASHEET](#)[ASSEMBLY](#)[MOUNTING](#)[WORKING](#)[MAINTENANCE](#)



TPI-745



INFO

DATASHEET

ASSEMBLY

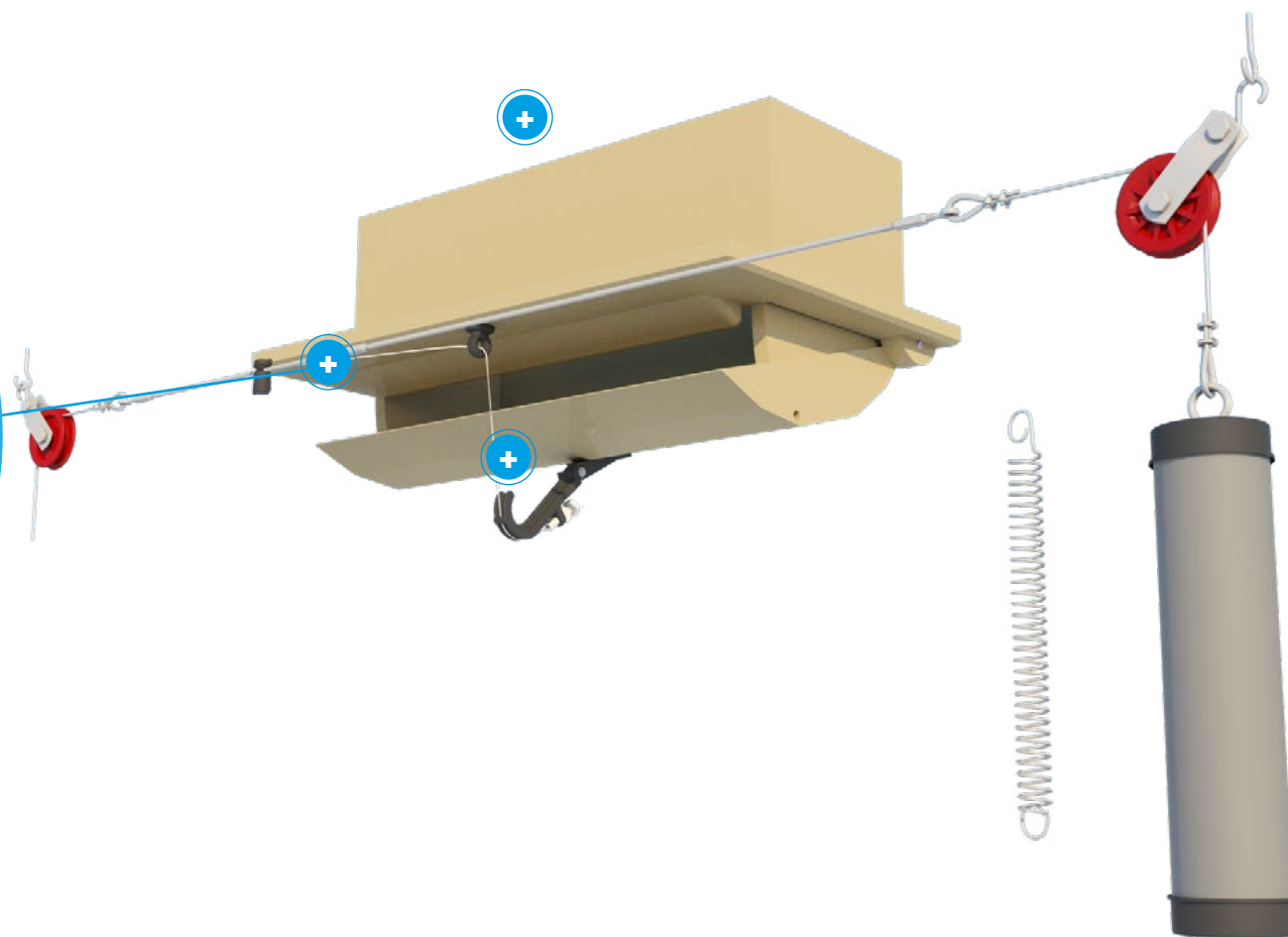
MOUNTING

WORKING

MAINTENANCE



TPI-204C



INFO

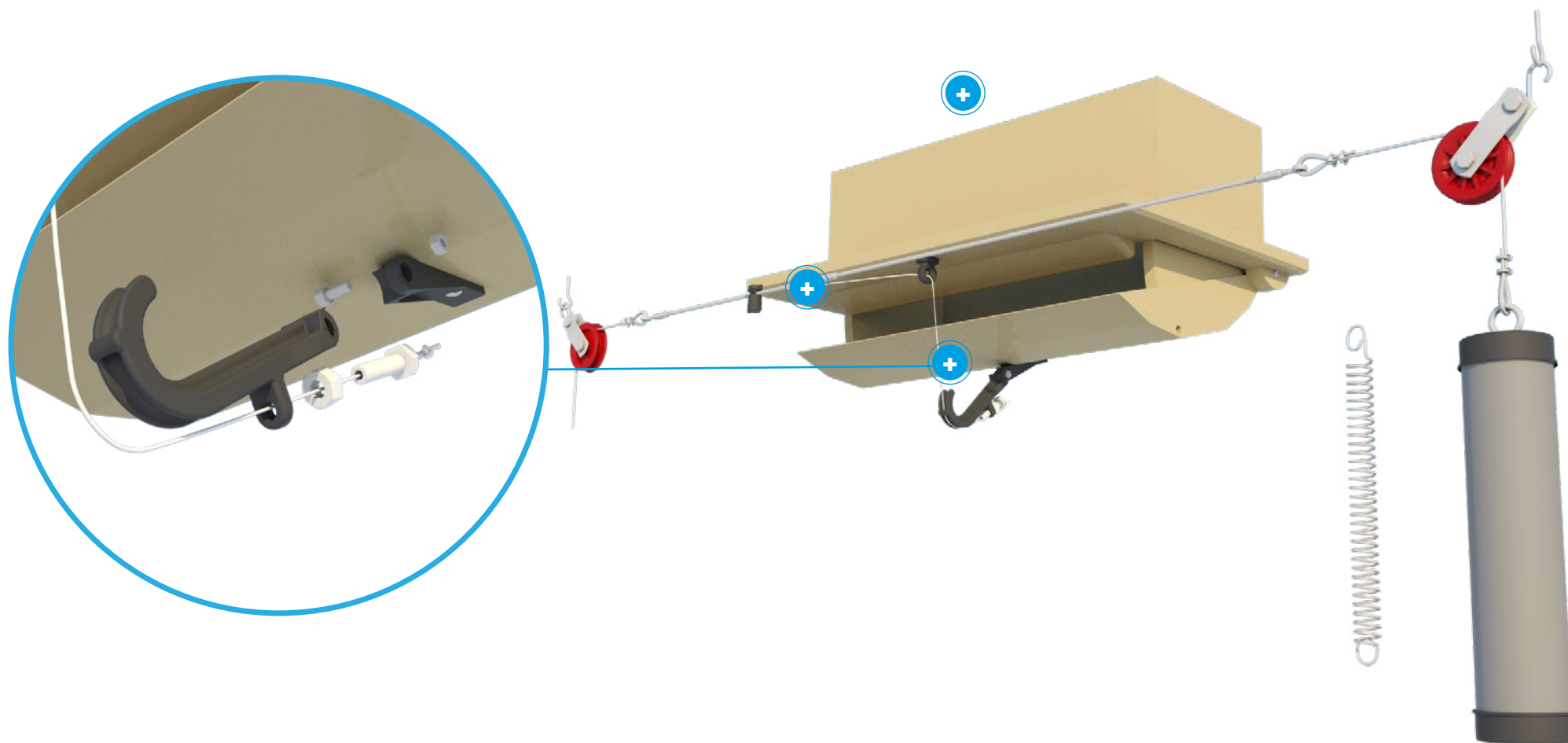
DATASHEET

ASSEMBLY

MOUNTING

WORKING

MAINTENANCE



INFO

DATASHEET

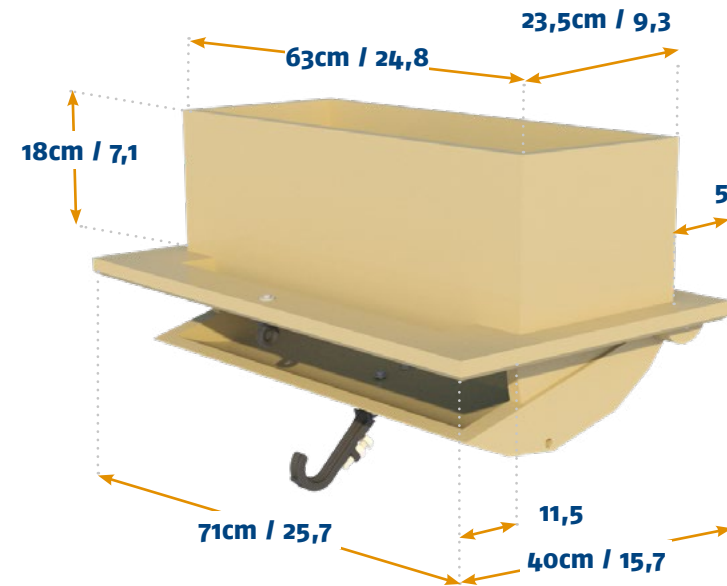
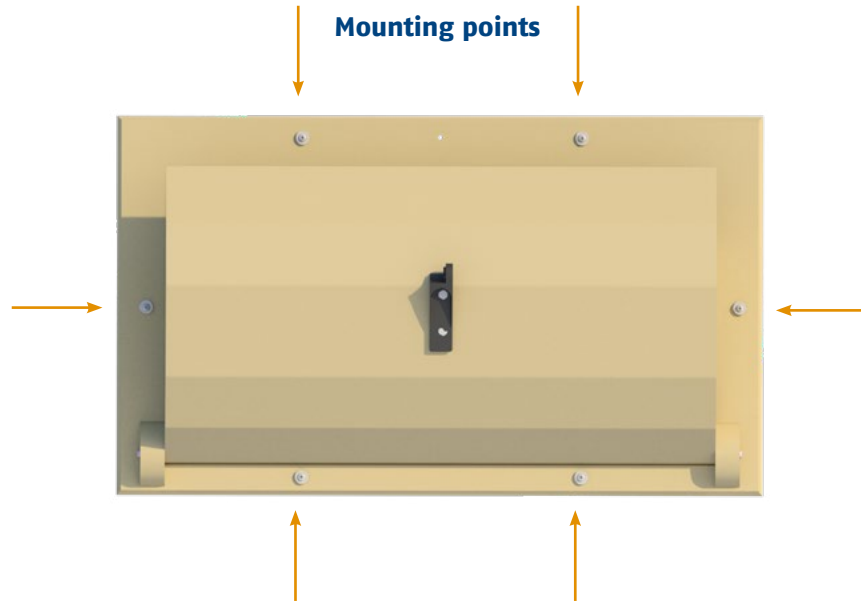
ASSEMBLY

MOUNTING

WORKING

MAINTENANCE

All sizes are in cm and inches



MOUNTING

Mounting type	Ceiling
Mounting hole size	65 cm / 25,59 inch x 25,5 cm / 10,04 inch



INFO

DATASHEET

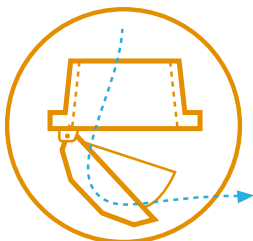
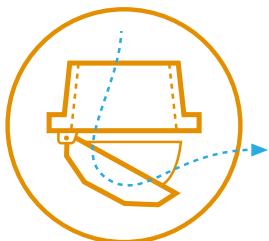
ASSEMBLY

MOUNTING

WORKING

MAINTENANCE

AIR FLOW



Ceiling Inlets

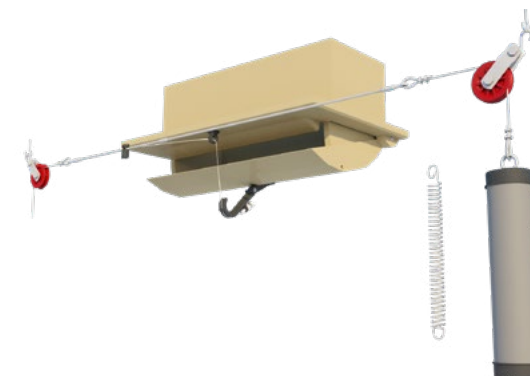
Our ceiling inlets are curved to offer a good throw of air that follows the ceiling and then drops down gradually. The seals all around the house prevent air leakage when the inlets are closed. These inlets do not use springs but open with the natural pull of gravity.

Working with end-weights or springs

We offer two products which can be used to keep tension on the main cable. A PVC cylinder which can be filled with concrete or sand to act as end-weight, or a spring that holds tension on the cable.

Pre-heating

The advantage of ceiling inlets is that the incoming air can be pre-heated in the attic of the house before entering the area where the animals are located.



INFO

DATASHEET

ASSEMBLY

MOUNTING

WORKING

MAINTENANCE



WARRANTY / MAINTENANCE

WARRANTY

TPI-Polytechnik offers a 1 year warranty on manufacturers defects. This warranty covers any defects caused by faulty production or design flaws. For parts that are designed to move, wear and tear there is no warranty as these parts are intended and designed to be replaceable. To find details on which parts are marked as replaceable please contact TPI-Polytechnik for further information.

Since TPI-Polytechnik products are meant to be installed by professionals there is no warranty over installation mishaps or any damage caused by incorrect installation of the products herein. TPI-Polytechnik does offer a service warranty of 1 years over correctly and professionally installed products, therefore we strongly advise to use professional personnel.

Our polyurethane formula guarantees high insulation values but does not in any case guarantee that our products cannot freeze when in low temperatures. To ensure optimal functioning of your product(s) please contact your dealer or TPI-Polytechnik for information on installation, set-up adjustments and functionality.

Please note that under no circumstance TPI-Polytechnik is responsible for injuries or loss of life due to malfunction of our products!

INSTALLATION – SET-UP – MAINTENANCE

Make sure to mount inlets on a flat wall surface

A flat wall surface ensures optimal fitment and therefore air leakage will be reduced to a minimum. For optimal functioning make sure to caulk all sides of the inlet with a silicon sealant.

Layout Main Cable

In the layout, straight lines are recommended. Avoid additional pulleys. For additional information, please consult our support department.

Do not use foams or fillers to fill space in between the inlet and the wall

Foams and fillers might cause damage to the inlet or cause it to jam as they have different expansion values due to temperature differences. When in doubt, please ask your supplier for additional information.

Use screws with rivets for mounting the inlets into the wall, be aware of the polyurethane skin

With the use of rivets for mounting the inlets into the wall one can prevent the screw to sink into the flange or skin of the inlet. The outer skin of the polyurethane is hard but the force exerted on screws during installation might penetrate the skin.

For the set-up, connect the inlet to the main cable when in closed position

Make sure the inlet is closed when connecting it to the main cable, this will ensure all inlets are connected in the same modus and less adjustments are needed to optimize the set-up.

Cleaning

Pay close attention while cleaning the inlets, avoid using corrosive cleaning solutions that might harm the polyurethane. Also make sure not to use too much pressure with the pressure washers as it might damage the skin of the inlets. Use max. 120 bar at a minimal distance of 10cm and temperatures not exceeding 40°C

[BACK](#)